

YD180 Compact Series



Features

- Compact & Easy Installing
- Pluggable Keypad
- Simple PID Function
- Simple PLC Function
- Carrier Frequency 2~16KHz
- Textile Swing Frequency Function

Voltage and power range

- 1 phase 200~240V +10/-15%
0.4~2.2kW (0.5~3HP)
- 3 phase 380~460V +10/-15%
0.75~2.2kW (1~3HP)

Applications

- Fans & Pumps
- Conveyors
- Food Industry
- Textile Industry
- Packing Industry

Technical data and types

Main connection

Voltage	single phase, 200~240V +10 / -15%
	three phase, 380~460 +10 / -15%
Power range	0.4~2.2kW 200~240V / 0.75~2.2kW 380~460V

Motor connection

Voltage	3 phase, 0 ~ input voltage
Frequency	0~400Hz
Overload capacity	150% at 60s
Motor control method	VF / Open loop vector

Control connections

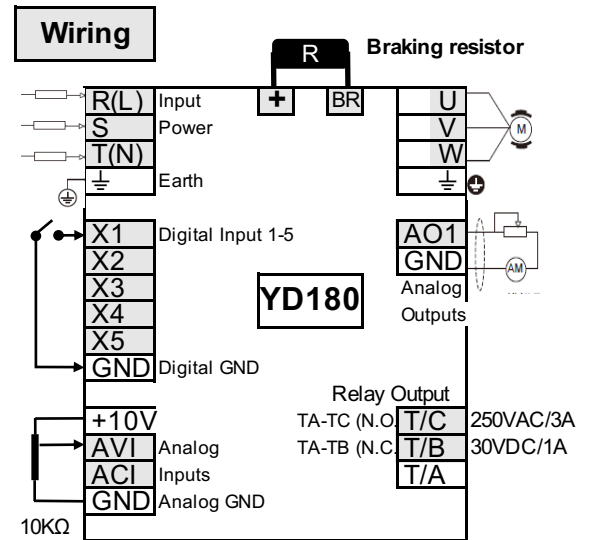
Two analog inputs

One voltage signal	0~10V, 20K Ω
Current signal	4~20mA, 250 Ω
Voltage signal supply	10V
Digital inputs	5 Optocoupler isolation terminal, X1~X5
One analog output	AO1 (0~10V)
One relay output	TA/TB/TC

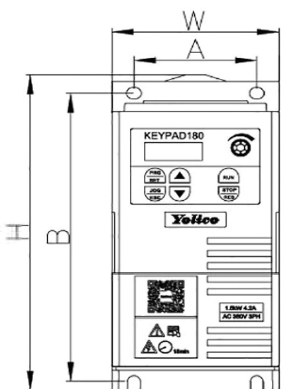
Environmental limits

Degree of protection	IP20
Ambient temperature	-10°C +40°C
Relative humidity	Lower than 95% (without condensation)

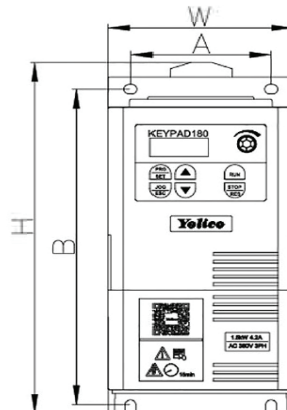
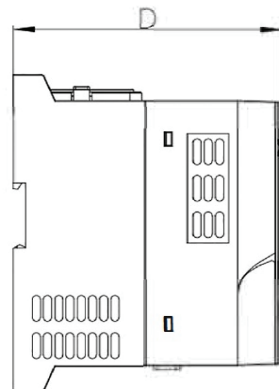
Control Connections



Ratings kW	HP	Rated output current (A)	Type	Frame size	A mm	B1 mm	H mm	W mm	D mm	Screw thread size
single phase , 200~240V, +10% / -15%										
0.4	0.5	2.3	YD180T2S-0P4(B)	F1	60	158	172.3	79	128.5	ø5
0.75	1	3.8	YD180T2S-0P7(B)	F1	60	158	172.3	79	128.5	ø5
1.5	2	7.2	YD180T2S-1P5(B)	F1	60	158	172.3	79	128.5	ø5
2.2	3	9.0	YD180T2S-2P2(B)	F2	68	170	190.5	86	145	ø4
three phase , 380~460V, +10% / -15%										
0.75	1	2.1	YD180T4-0P7(B)	F1	60	158	172.3	79	128.5	ø5
1.5	2	3.8	YD180T4-1P5(B)	F1	60	158	172.3	79	128.5	ø5
2.2	3	5.1	YD180T4-2P2(B)	F2	68	170	190.5	86	145	ø4



F1



F2

